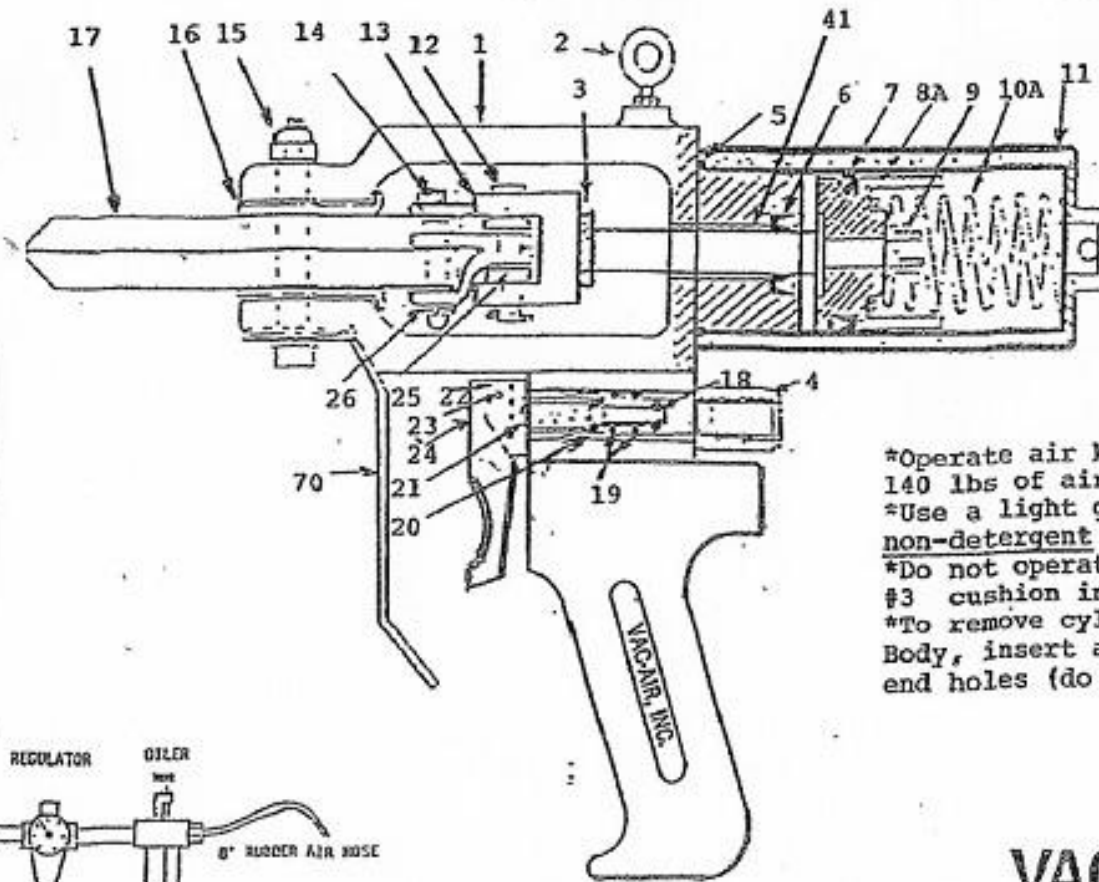
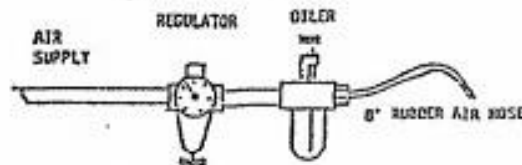


HOCK & NECK KNIFE

MODEL
BAK



*Operate air knife with 90 to 140 lbs of air pressure.
*Use a light grade USDA approved non-detergent oil in lubricator.
*Do not operate without BAK-H #3 cushion in position.
*To remove cylinder body from Body, insert a long rod thru end holes (do not over-tighten).



USE A LIGHT OR THIN GRADE OF OIL IN LUBRICATOR.

FOR CLEANING

**DO NOT USE ALKALINE OR IODINE ON THIS MACHINE, THIS WILL DESTROY THE ALUMINUM PARTS.
**USE A MILD DETERGENT FOR BEST RESULTS.

MODEL BAK-H AIR CONSUMPTION:

Operating at 90 to 140 lbs. of air pressure, the BAK-H Hock & Neck Knife will consume 2 1/3 cubic inches of air per cycle, 748 cycles per cubic foot.

VAC AIR, INC.

5254 NORTH 124TH STREET
MILWAUKEE, WI 53225
Phone: (414) 353-5270
Fax: (414) 353-5289